



**DESCRIPTION**

A miniature pressure switch with high proof pressures ideal for mobile and other harsh applications. It is a well sealed design that offers ingress protection to IP68 when paired with the flying lead option. It is offered with a variety of mechanical and electrical terminations for easy integration.

**FEATURES**

- Silver nickel alloy contacts
- Diaphragm/piston combination
- High ingress protection
- Compact body
- Gold contact available

**APPLICATIONS**

- Industrial tools
- Garbage trucks
- Brake pressure switch

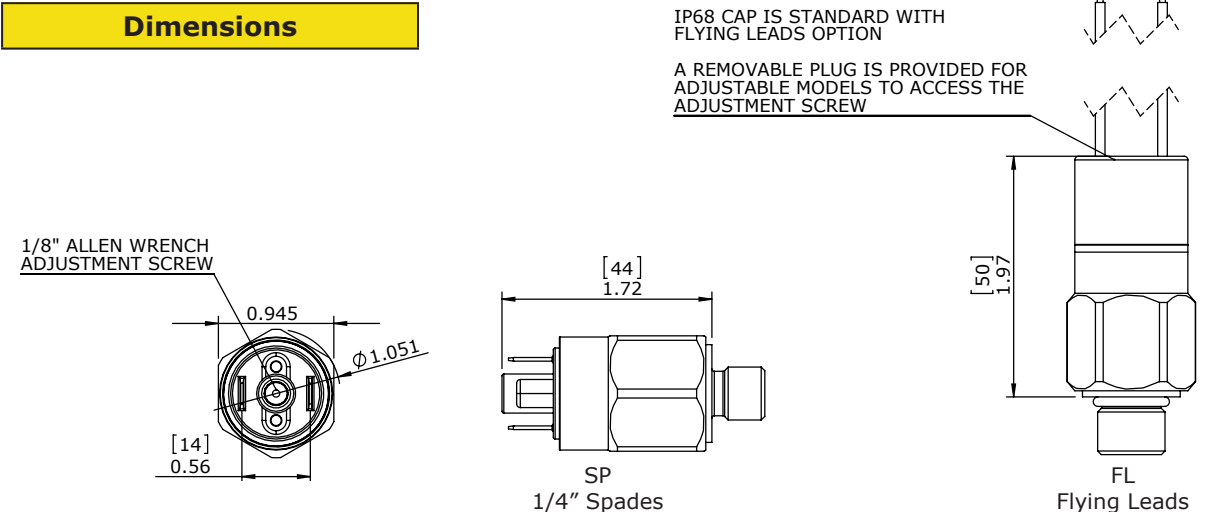
**Specifications**

Electrical	100 VA, 42 VDC Optional: Gold Contact
Switch Type	Blade Contact
Protection	Exposed Terminals - IP00 (IP68 Available)
Temperature Range	-20°F to 180°F (-29°C to 82°C) Nitrile
Mechanical Range	1,000,000 Cycles @ 1000 PSI (69 BAR)
Diaphragm Material	Standard: Nitrile Optional: Viton, EPDM, HNBR
Housing Material	Zinc Plated Steel
Maximum Overpressure	9000 PSI (600 BAR)
Repeatability	+/- 3% of full set point range at 20°C (68°F) SKBA-1 model, +/- 1.5 psi
Weight	0.16 lbs (0.07 kg)

**Pressure Range**

Model	Adjustment Range	
	PSI	BAR
1	5 - 20	0.3 - 1.4
2	20 - 120	1.4 - 8.2
3	90 - 250	6.2 - 17
4	250 - 950	17 - 65
5	700 - 1900	48 - 131
6	1000 - 3000	69 - 206

**Dimensions**



**Wiring Code**

CONTACT	FLYING LEADS	FLWF / FLWM WEATHERPACK	FLDR / FLDP DEUTSCH RECEPTACLE / PLUG
COMMON	BLACK	PIN A	PIN 1
NORMALLY CLOSED	BLACK	PIN B	PIN 2
NORMALLY OPEN	BLACK	PIN B	PIN 2

## Ordering Information

### Field Adjustable

SKBA - <sup>1</sup>2 - <sup>2</sup>2M - <sup>3</sup>B - <sup>4</sup>SP - <sup>5 (Optional)</sup>1

### Factory Preset

SKBF - <sup>1</sup>30F - <sup>2</sup>2M - <sup>3</sup>B - <sup>4</sup>SP - <sup>5 (Optional)</sup>1

## 1 - Pressure Selection:

Field Adjustable - Select Model Code

Insert set point value XXX followed by: R, F, BR, or BF

Model	Adjustment Range	
	PSI	BAR
1	5 - 20	0.1 - 1.4
2	20 - 120	1.4 - 8.2
3	90 - 250	6.2 - 17
4	250 - 950	17 - 65
5	700 - 1900	48 - 131
6	1000 - 3000	69 - 206

OR

Set Point	Direction	Description
XXXX	R	PSI Rising Pressure
	F	PSI Falling Pressure
	BR	BAR Rising Pressure
	BF	BAR Falling Pressure

## 2 - Thread Options:

- 2M - 1/8 NPT male
- 4M - 1/4 NPT male
- 2G - 1/8 BSPP male, G1/8
- 4G - 1/4 BSPP male, G1/4
- 4S - 7/16-20 SAE male, with O-ring seal
- 6S - 9/16-18 SAE male, with O-ring seal
- M10 - M10 X 1.0 male (ISO 9974)
- M12 - M12 X 1.5 male (ISO 9974)

## 3 - Circuit:

- A - SPST (Normally Open)
- B - SPST (Normally Closed)

## 4 - Electrical Termination:

- FL - Flying Lead 18" long, 18 AWG, IP68 cap is standard with this option
- FLWF - Flying Lead Weatherpack connector, female, Tower, 10" long leads
- FLWM - Flying Lead Weatherpack connector, male, Shroud, 10" long leads
- FLDP - Flying Lead Deutsch connector, plug, 10" long leads
- FLDR - Flying Lead Deutsch connector, receptacle, 10" long leads
- SP - 1/4" Spade

## 5 - Options (Omit if not required):

- 1 - Viton® Diaphragm
- 2 - EPDM Diaphragm
- 4 - HNBR Diaphragm
- 7 - Gold Contact, 0.4 VA, 30 VDC
- 20 - Seal Adjustment Screw
- 30 - Rubber Boot - Removable (Excludes IP68 Cap if selected)
- OC - Oxygen Cleaned Switches
- SR - Snubber



Note: Please see page 52 for other available options